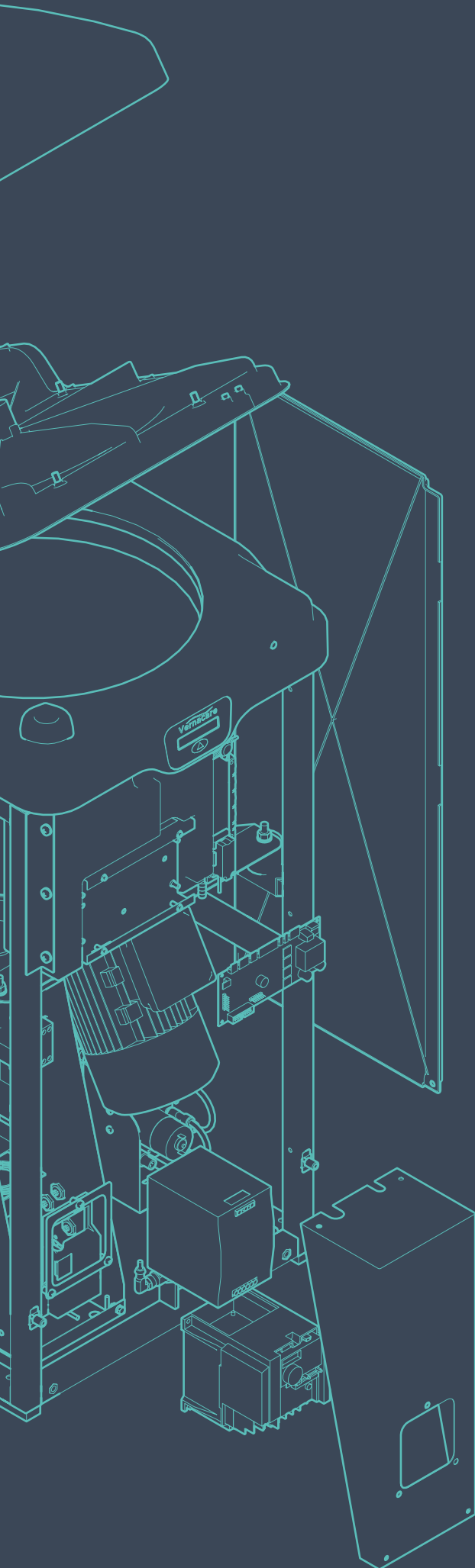


# VORTEX AIR

The new platform for  
macerator technology

Smarter diagnostics  
Sustainable design  
Superior performance



  
Vernacare

# The new platform for macerator technology

The Vortex Air utilises the latest in motor control and diagnostics tools to minimise machine downtime whilst our SmartFlow™ maceration system ensures maximum performance. The smooth design and antimicrobial surfaces also work to reduce the risk of HCAs alongside our sensor controlled touchless technology operation.



## Key Features & Benefits



**Latest technology** - including a deodorizer pump, capacitive sensors to measure the deodorizer and water tank levels



**Smart sensors** - for accurate and precise diagnostics ensuring optimal performance



**Water efficient** - processes four pulp items, saving on a valuable resource



**Multi-cycle to suit all healthcare facilities** - Eco (16L of water) Standard (23L of water) Heavy (27L of water)



**Inflatable lid seal** - prevents aerosolization of potentially harmful pathogens



**Display** - provides status of cycle during operation and time remaining to users



**Multiple language options** - available for international markets



**Quiet operation** - the quietest full-size macerator on the market at 62.0dBA

# Working smarter to keep your teams safer

At Vernacare, we understand that machine downtime is not just disruptive, it can also pose an infection risk. The Vortex Air contains the most comprehensive diagnostics tools and sensors ever seen on a hospital macerator. Each unit is also tested and optimised to macerate our range of medical pulp products, ensuring your machine is running in even the most heavy-duty environments.

## Why choose a single-use disposable system?



Eliminates cross infection risk from reusable bedpans



More convenient and hygienic



Zero aerosols released during disposal, eradicates risk of transmission via droplets



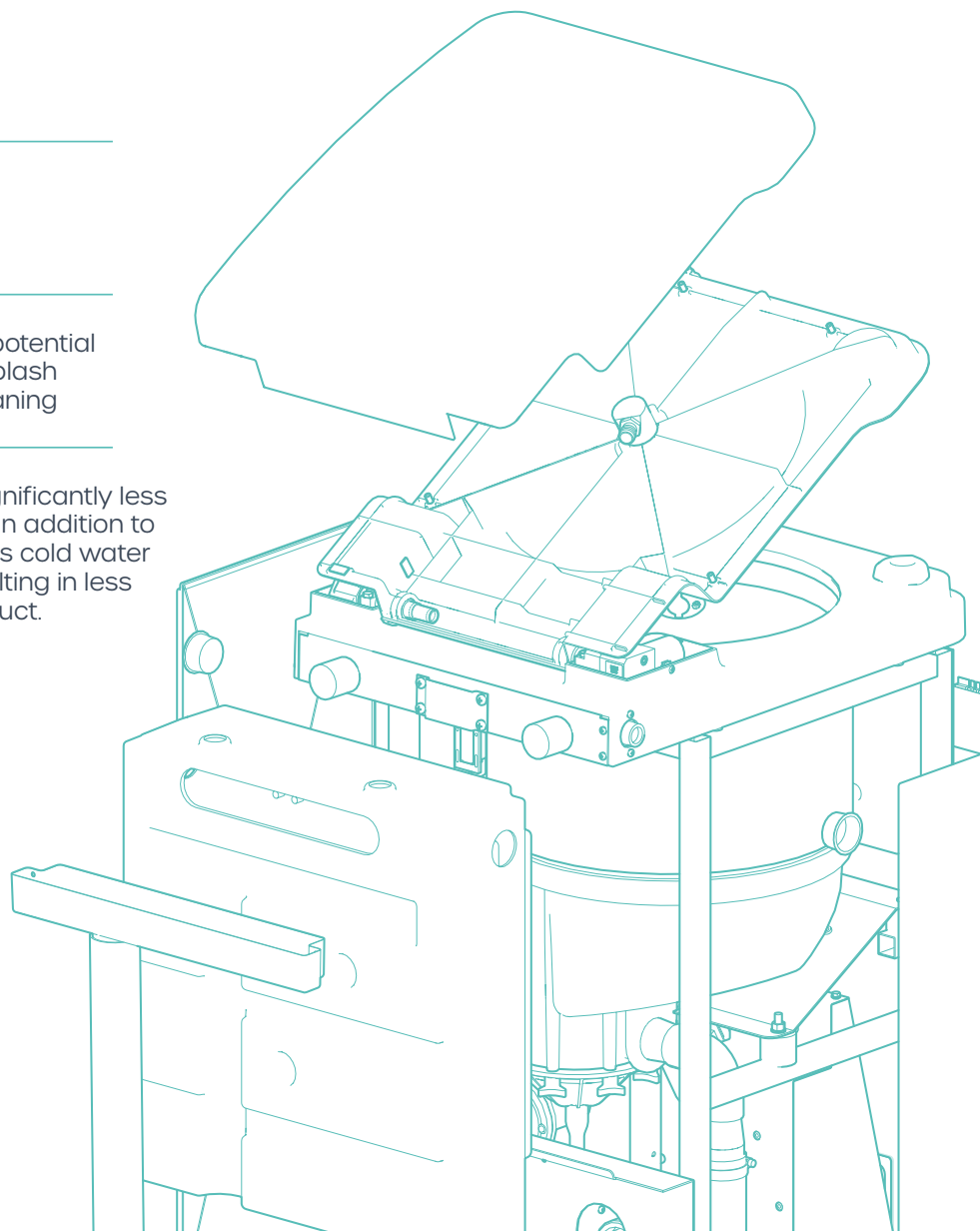
Hands-free system reduces number of potentially infected touch points



Immediate disposal reduces potential risk of contamination spray, splash backs, or spillages during cleaning



Vernacare macerators use significantly less water than bedpan washers. In addition to this, the Vortex Air only requires cold water to process pulp products resulting in less energy consumption per product.



# SMARTFLOW

TECHNOLOGY

Vernacare invented SmartFlow™ technology to protect the environment and the healthcare facility. Our unique 'closed-drum' system ensures that all waste placed into our machines is fully broken down before being released into the wastewater system.



Step 1  
Contents Added



Step 2  
Cycle Initiation



Step 3  
Ultra-Fine Maceration

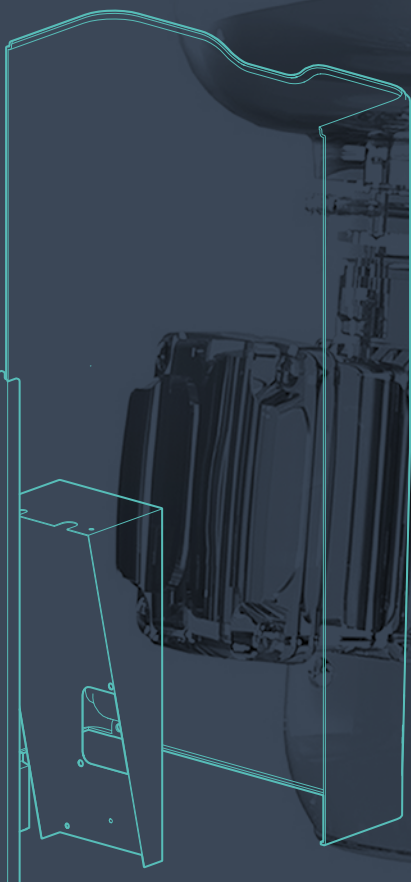


Step 4  
Rapid Discharge

Upon discharge, when crushed and disintegrated by the macerator, the **Vernacare pulp** decomposes into particles, **95%** of which are less than **1mm** and are easily transported by the sewage pipes to the wastewater treatment plants (which is the same consistency as toilet paper). Studies have proven our discharge flow rate is 4x faster than any of our competitors.



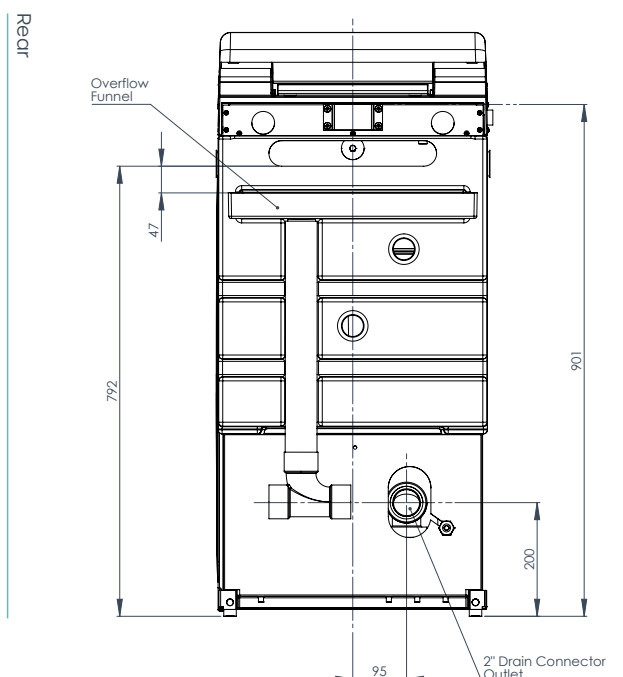
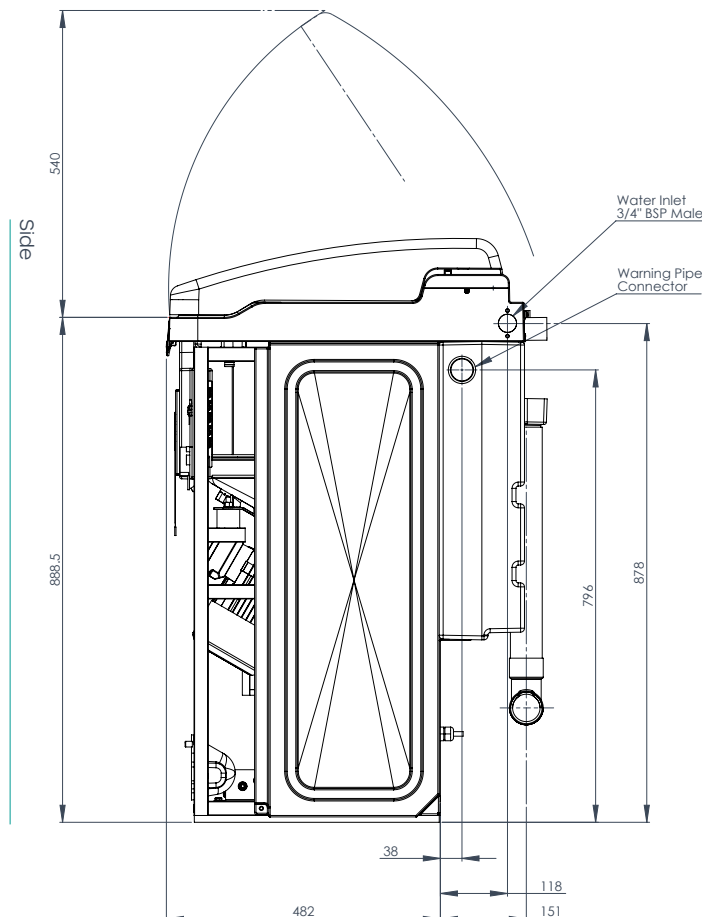
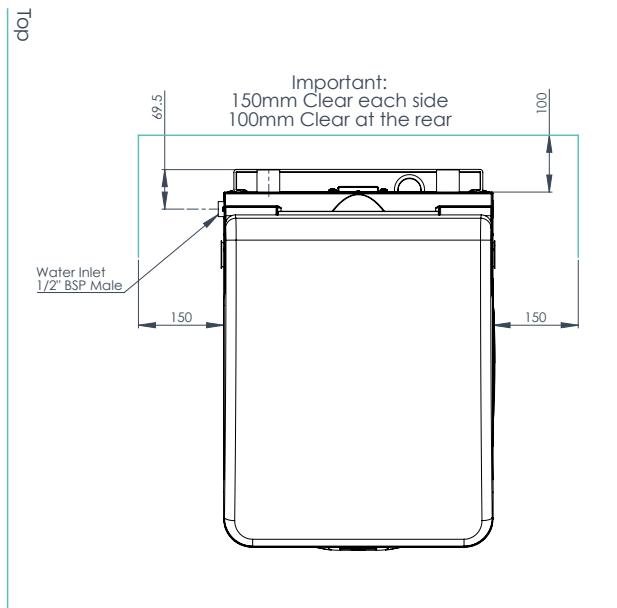
Vernacare's SmartFlow™ Technology and pulp has been independently verified by EDANA.



# Technical Specifications

The connection points and dimensions of the Vortex Air have been carefully chosen to allow seamless replacement of its predecessors in the range. This includes the V2000, V2020, Vortex and Vortex+.

Cycle Time (Standard)	120 seconds
Cycle Time (Heavy Duty)	140 seconds
Cycle Time (Eco Mode)	95 seconds
Weight	76kg
Capacity	6 small, 4 medium or 2 large disposable pulp products
Closing Mechanism	Automatic (via foot sensor)
Opening Mechanism	Automatic (via foot sensor)
Outside Dimensions	427 x 628 x 1027mm
Drain Outlet	2" P Trap (included)
Water Inlet	3/4" BSP (male)
Water Usage (Standard)	23L
Water Usage (Heavy Duty)	27L
Water Usage (Eco Mode)	16L
Required Flowrate	12L/min (minimum)
Sound Level	62 dBA (average)



The Vernacare logo consists of a white, stylized wave-like line above the word "Vernacare" in a clean, sans-serif font.

For more information:

**t: +44 (0)1204 529494**

**e: [nathan.shields@vernagroup.com](mailto:nathan.shields@vernagroup.com)**

**w: [vernacare.com](http://vernacare.com)**

Vernacare Ltd | Folds Road | Bolton | Lancashire | BL1 2TX | UK

VC305

